

PLEASE READ THIS MANUAL CAREFULLY BEFORE SERVICING

- 1 **IMPORTANT:** Ensure the diverter (attached to the kitchen faucet) is closed.
- 2 Unscrew the filter housing sump anti-clockwise from the housing stand **over the sink**, releasing any water contained within the system.

NOTE: It is common for the O-ring to lift out of the housing and stick to the base.
- 3 Remove the O-ring from the housing sump and wipe it clean. Lightly lubricate the O-ring with a coating of silicone grease or olive oil.

CAUTION: If the O-ring appears damaged, stretched or crimped it should be replaced at this time. Manufacturers recommend them being replaced every year. Please contact us if you need any replacement parts.
- 4 Clean the housing sump by filling it with approximately 1/3 of water. Add about 2 or 3 tablespoons of bleach or a sterilizer of your choice and scrub it thoroughly with a brush or sponge. **Rinse thoroughly** with water.
- 5 Put the O-ring back in place within the housing sump and press it down level into the groove. (See **Diagram 1**). This is vitally important to ensure a proper water seal.
- 6 Remove the new cartridge from the plastic wrapping and **ensuring the cartridge is the correct orientation** insert it into the housing stand, slipping it down over the housing sump standpipe (see **Diagram 1 and 2**).
- 7 Slipping the filter housing sump over the installed cartridge, screw the housing sump onto the housing base and hand-tighten. **Do not overtighten**.

NOTE: A new carbon cartridges invariably contains a small amount of carbon fines (very fine black powder). Hence a new cartridge, after installation, should be flushed with sufficient water to remove them. The manufacturer recommends flushing the system for 4-5 minutes.
- 8 **Your system is now ready for use!**

Diagram 1 - Labelled Housing

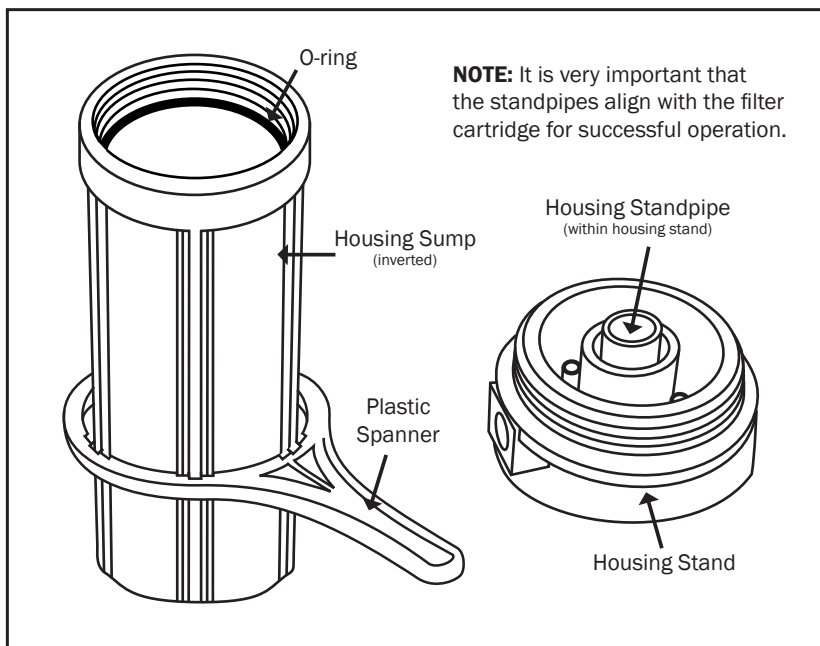
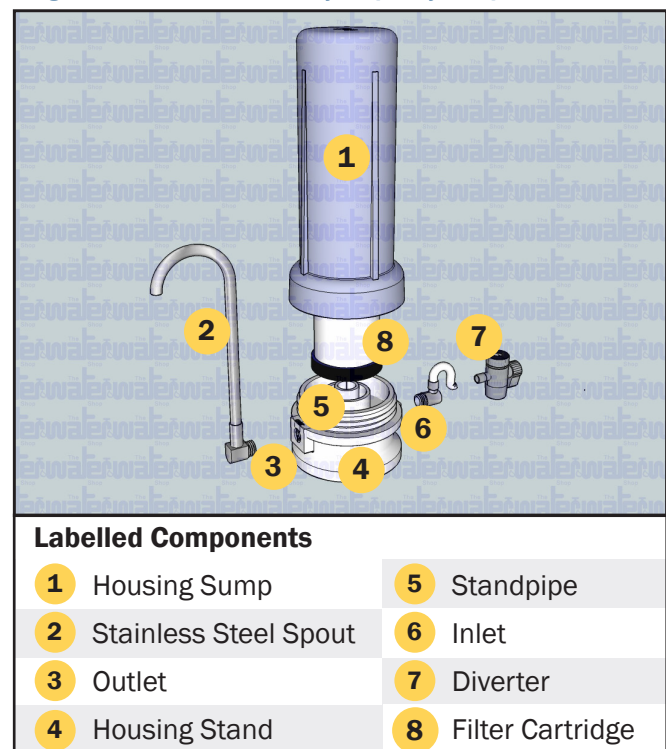


Diagram 2 - Labelled Assembly of quality components



For any further assistance please call us on (02) 9458 1111