

When it comes to Water - We've got the Works

WATERWORKS®

A Division of Coolmate Pty. Ltd.

PureCool®

AIR AND WATER FILTRATION

NEW

Drop in a
PureCool Filter
and enjoy
Superior
Drinking
Water

The Refreshing New Era in Filtration for Bottled Water Dispensers.

- Converts plain tap water to Fresh, Great Tasting, Healthy Water.
- Filters Water as it leaves the Bottle.
- Filters Air before it bubbles into the Bottle.
- No Algae or Bacteria growth in the Bottle.
- Fits most Bottled Water Coolers.
- Fits most Bottled Water Dispensers.
- Accepts 11, 15 and 19 Litre Bottles.
- 1140 Litre Capacity.
- No plumbing connections - Just Drops In!
- Installs in seconds without tools.
- Unobtrusive appearance.
- Gravity feed.
- One piece Patented Design and Technology.
- Manufactured & Designed by the World Leader in Purification Systems.
- ANSI / NSF Accredited.



THE PURECOOL AIR AND WATER FILTER IS SUPERB IN DESIGN, SIMPLE TO USE AND IS ANSI / NSF ACCREDITED. IT SIMPLY DROPS INTO YOUR BOTTLED WATER COOLER OR DISPENSER AND PROVIDES SAFE, FRESHLY FILTERED, SPARKLING DRINKING WATER.

When it comes to Water - We've got the Works

WATERWORKS[®]
A Division of Coolmate Pty. Ltd.

PureCool[®]
AIR AND WATER FILTRATION

The perfect solution for bottled water

PURECOOL FILTERS WATER AND AIR SIMULTANEOUSLY

This advanced technology is achieved through a combination of adsorption, absorption, ion exchange and mechanical filtration.

PureCool filters the water as it leaves the bottle and removes/reduces water borne contaminants before it reaches the reservoir. Simultaneously, when the water is dispensed from the reservoir, the innovative PureCool Filter purifies air before it enters the bottle, thereby preventing bad tastes caused by contaminated air bubbling into the water.

At the heart of the PureCool Filter is the unique ceramic matrix media which removes heavy metals, chemicals and bad odours from water. The patented PureCool filter is the safe and simple way to ensure freshness. It's the first filter designed exclusively for hot/cold water coolers & crocks. It provides fresh, clear, clean sparkling and healthy water - **on site - on demand.**

PERFORMANCE DATA

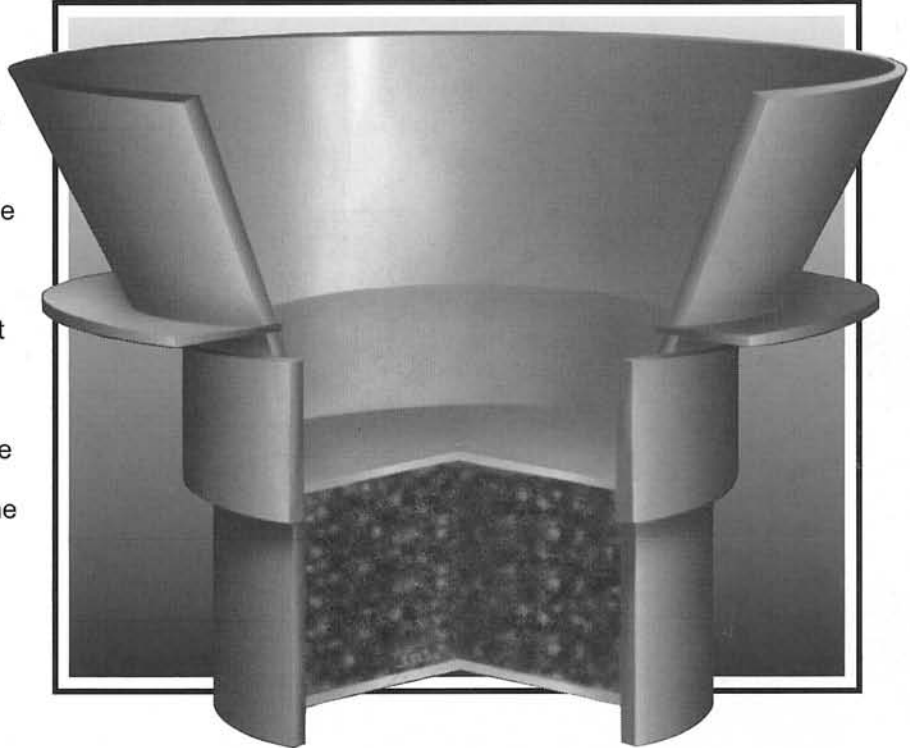
LEAD	98%
CHLORINE	98%
CHLOROMINE	98%
V.O.C.'s	98%
TANNINS	92%
BAD TASTES & ODOURS	95-99%
MOULD & ALGAE	95-99%
DIRT & RUST	98%
SEDIMENT @ 5µ nom.	98%

THE PURECOOL DROP IN FILTER ALSO REDUCES AND REMOVES THE FOLLOWING CONTAMINANTS:

Ammonia, hardness, dissolved gases, paint, dust, hair spray, copier toner, mildew, pollen, oils, adhesives and bad carpet odours.

SPECIFICATIONS

PART NUMBER	105-360
FILTER LIFE	1140 ltrs (approx)
FLOW RATE	1 Litre per minute
TEMPERATURE	Maximum 38°C
PRESSURE	Gravity feed
PATENT number	US#5,616,243



INSTALLATION

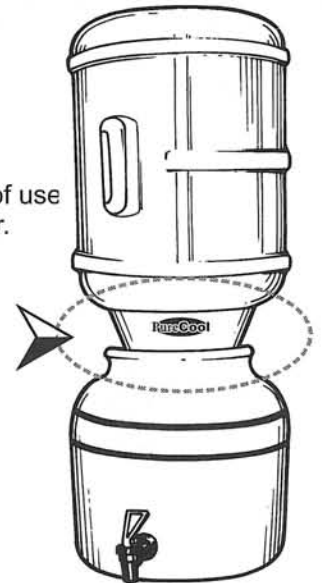
PURECOOL INSTALLS IN SECONDS. It drops in and fits perfectly between the bottle and the cooler or crock. There are no bolts or screws. No tools required.

BENEFITS

1. Great tasting healthy drinking water.
2. Guaranteed quality of water.
3. A fresh alternative to water deliveries.
4. Water on tap, and filtered at the point of use
5. Vastly reduces costs of delivered water.
6. No plumbing required.
7. No running out of water.
8. No waiting for deliveries.
9. No bottle deposits.
10. No more billing disputes.

WARRANTY

PURECOOL drop in drinking water Filters are guaranteed to be free of defects (excluding filter media) for a full twelve (12) months from date of purchase.



**Compare the quality and performance and discover
PureCool - the refreshing alternative.**

WATERWORKS AUSTRALIA PTY. LTD.

A.C.N. 064 901 239
(A Division of Coolmate Pty. Ltd.)

DISTRIBUTED BY: