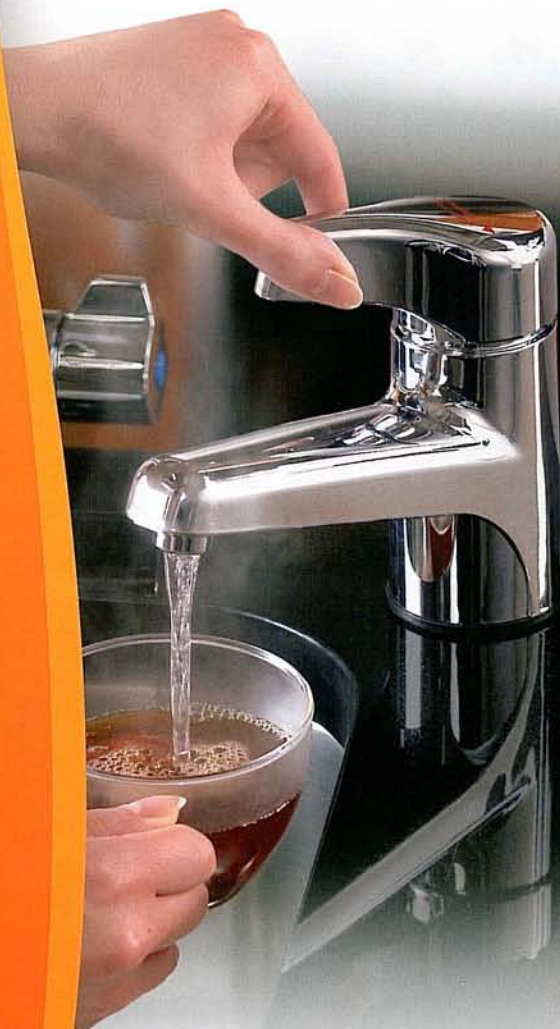




Technical Specification

H-990

Steaming Hot Water Tap

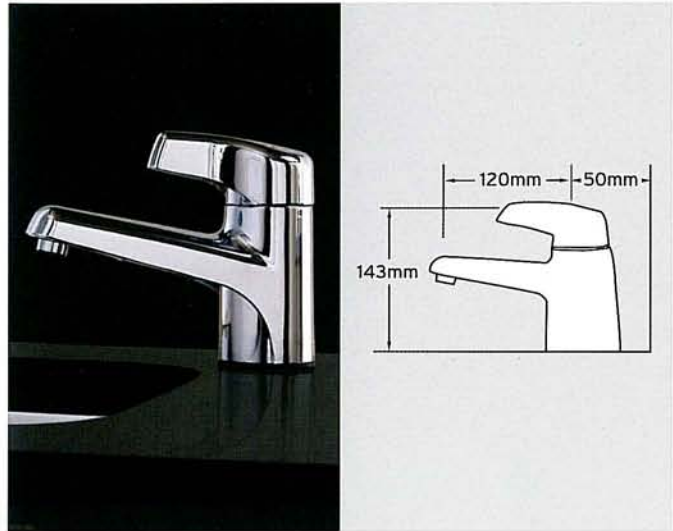


Technical Specification

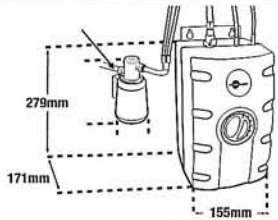
H-990

Specification

The H-990 model comes complete with the following specifications.



H-990 - Chrome finish standard.

Capacity	2.5 Litre Stainless Steel tank dispenses 100 cups of 98°C water per hour
Electrical	220 - 240 volts A.C. 1300 watts, heating element with grounded three (3) pin plug
Thermostat	Electronic, adjustable from 88°C to 98°C (factory pre-set at 96°C)
Hot Valve	Instant, self closing
Weight	Approximately 4.7kg empty
Required Hole Diameter	32mm - 38mm
Required Supply Pressure	177 - 862 KPa (1.7 - 8.6 bar) (25 - 125 psi)
Tank Dimensions	



InSinkErator® is a registered trademark of Emerson Electric Co. Emerson® is a trademark of Emerson Electric Co. © Copyright 2006 INS 14641/3 MDG 08/06 AUST/NZ



H-990

Application

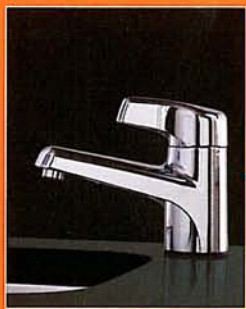
A premium sink appliance for the kitchen that conveniently dispenses instant 98°C water from a single tap. Ideal for making tea, preparing pasta, cleaning dishes, blanching vegetables, warming baby's bottle or for any other activity that requires the use of steaming hot water.

Features

- Sparkling chrome finish
- Tap insulated from heat
- Tap mounted on either the kitchen work surface or sink
- Unobtrusive 2.5 litre stainless steel tank fitted under sink
- Adjustable temperature dial
- Plugs directly into electrical socket located close to appliance
- One year full in-home warranty

Benefits

- 98°C steaming hot water instantly
- Produces up to 100 cups of steaming hot water per hour
- Energy efficient and economical, saving both time and money once installed
- Time-tested quality
- Tool free tank connections and dry start protection to ease installation



H-990 Tap

Robust design, with easy-grip handle in a sparkling chrome finish



Tank

Unobtrusive 2.5 litre stainless steel hot water tank fitted under the sink, with easy adjustable temperature dial

Installation

InSinkErator's Steaming Hot Water Tap is easy to install. Simply follow five step-by-step instructions to enjoy the convenience of instant steaming hot water in your kitchen.



1 Step One

- Install the tap

2 Step Two

- Mount the tank

3 Step Three

- Connect the tap to the tank

4 Step Four

- Final water connection

5 Step Five

- Connect power