

# Doulton®

## Sterasyll® Ceramic Filter Cartridges

*Doulton® has been a leading name in drinking water filtration for over 150 years.*

*Doulton® ceramic elements are now available in a range of standard cartridge formats which bring the quality associated with the Doulton® name to the general filtration market.*

## Sterasyll®

### Features

- Fits Industry standard 10" and 20" filter housings.
- Filtration efficiency of >99.99% at 0.9 micron
- Filtration efficiency of > 99.9% at 0.5 to 0.8 micron
- Highly efficient bacteriological filtration
- Tested with live Cryptosporidium to a removal efficiency >99.999%
- Ideal for R O guard and post filtration
- Complimentary to UV systems



### Sterasyll® Ceramic

Doulton Sterasyll is a highly efficient ceramic micro filter which provides genuine sub micron filtration of drinking water.

Sterasyll is manufactured with the highly consistent and controlled pore structure necessary to remove a wide range of water borne contaminants over the life of the cartridge.

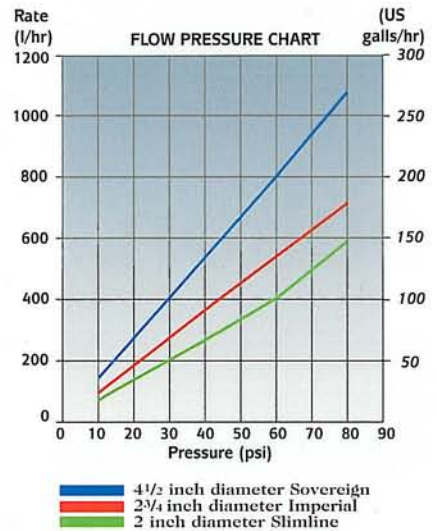
In addition to fine particulate matter, bacteria, cysts and turbidity are removed to a high level of efficiency. The incorporation of silver locked within the ceramic structure inhibits the growth of bacteria and gives each cartridge enhanced bacteriostatic and self sterilising properties.

# Doulton®

## Filtration Data Sheet

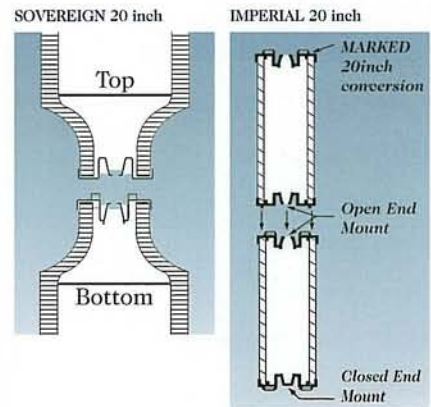
### Filtration Efficiency

Absolute filtration rating	(defined as > 99.99%)	0.9 micron
Nominal filtration rating	(defined as 99.9%)	0.5 - 0.8 micron
% Bacteria removal	E.coli	> 99.99%
	Vibrio Cholera	> 99.99%
	Shigella	> 99.999%
	Salmonella Typhi	> 99.999%
% Cyst removal	Klebsiella Terrigena	> 99.99%
	Cryptosporidium	> 99.999%
	Giardia	> 99.999%

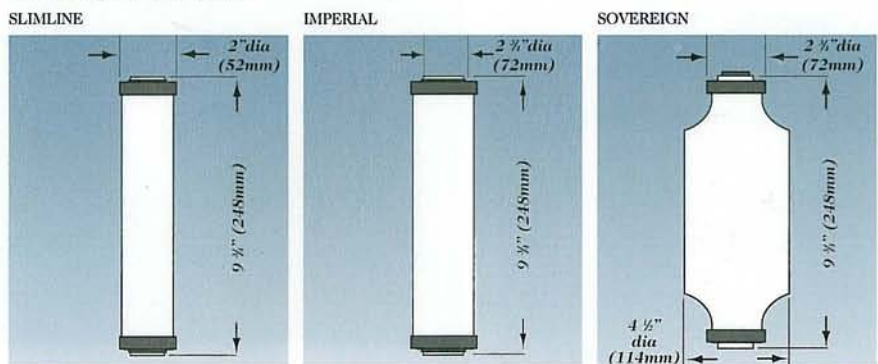


### 20 Inch Filter Housings

Sterasyl Imperial (2 3/4") and Sovereign (4 1/2") Filter cartridges can be supplied with a second adaptor cartridge to allow fitting in 20 inch filter housings. Due to slight variations in housing design, please state housing manufacturer when ordering.



### Cartridge Dimensions



### Cartridge Shipping Specification

	Individual cartridge weight	Quantity per outer carton	Outer carton gross weight
Slimline 9 3/4 x 2"	0.2 kg	25	8 kg
Imperial 9 3/4 x 2 3/4"	0.4 kg	9	6 kg
Sovereign 9 3/4 x 4 1/2"	0.8 kg	4	5 kg

Standard carton size 33 x 33 x 34 cm

### Product Specification

Working temperature range	5 - 38°C
Working pH range	5.5 - 9.5
Minimum working pressure	10 psi
Maximum working pressure	125 psi

Distributed by:

The Water Shop  
 425 Miller Street  
 Cammeray  
 Sydney NSW 2062  
 Tel: 02 99565677

Due to a policy of continuing product development Fairey Industrial Ceramics Limited reserves the right to change any information without prior notice.

Doulton® water filters are manufactured by Fairey Industrial Ceramics Ltd

Doulton® and Sterasyl® are registered trademarks of which Fairey Industrial Ceramics Limited is an authorised user.

# Fairey

Industrial Ceramics Ltd.



BS EN ISO 9002: 1994  
 Certificate Number: 90082

